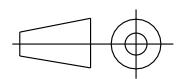
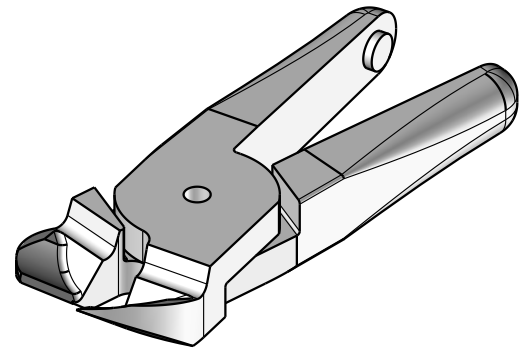
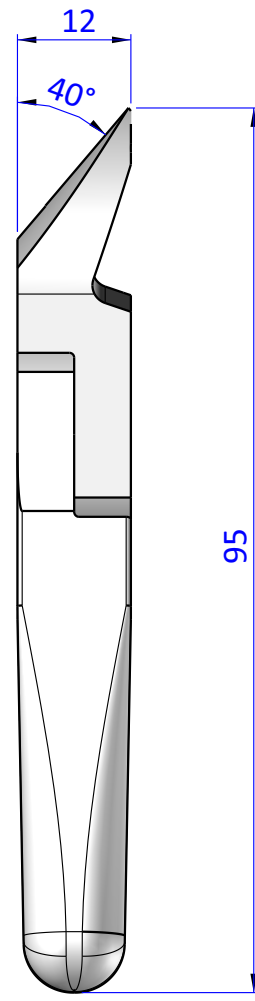
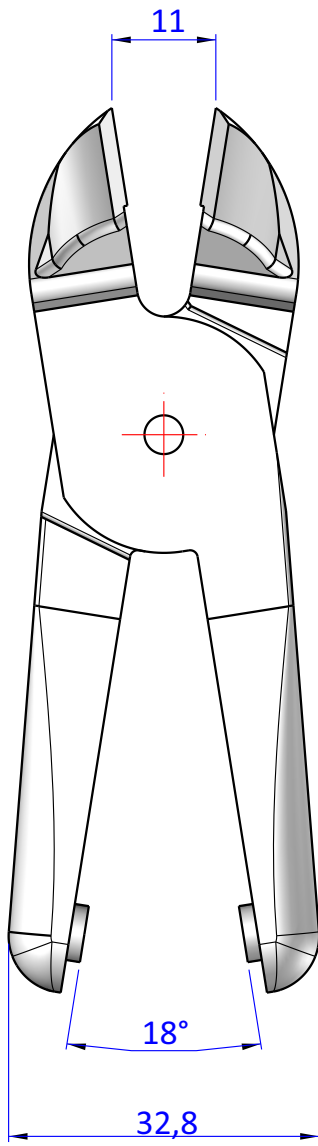


THE PROPERTY OF THE DRAWING IS ESTABLISHED BY LAW. IT IS FORBIDDEN TO PRODUCE OR SHOW IT TO THIRD PART. WITHOUT A WRITTEN AGREEMENT.



DESIGNED FROM <b>FPS Automation</b>		REVIEW <b>A</b>
DATE <b>22/10/2020</b>	WEIGHT <b>0130kg</b>	
CODE <b>VES.N20PF</b>		

Format **A4**  
**UNI 936-76**

GENERAL TOLERANCE  
UNI - ISO 2768  
CLASSE **f**

DESCRIPTION  
**VES.N20PF**